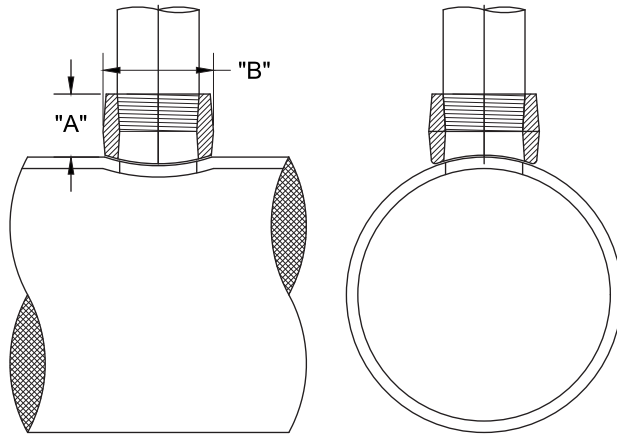




IRON STRONG

DUCTILE IRON PIPE

**THREAD-O-LET**  
NPT THREADED OUTLETS



McWane Ductile utilizes Thread-O-Lets to allow for a broader range of threaded connections. These threaded connections are used where a direct tap is greater than the allowable size for a direct tap or not allowed. The pressure rating of the Thread-O-Let will be the same as the main/or adjoining pipe. The chart below shows the available Thread-O-Lets and their overall dimensions.

### THREAD-O-LET DIMENSIONS

SIZE	"A" DIMENSION	"B" DIMENSION	WEIGHT (LBS.)
0.5"	1.00"	1.41"	0.25
0.75"	1.06"	1.72"	0.35
1.0"	1.31"	2.00"	0.60
1.5"	1.38"	2.84"	1.00
2"	1.50"	3.47"	1.75
2.5"	1.81"	4.06"	3.00
3"	2.00"	4.81"	4.35
3.5"	2.13"	5.22"	5.75
4"	2.25"	5.97"	7.10



**POCKET ENGINEER**

Available for iOS + Android  
or online at [pe.mcwane.com](http://pe.mcwane.com)

CONNECT WITH US ON



[mcwaneductile.com](http://mcwaneductile.com)

**NEW JERSEY**  
183 Sitgreaves St.  
Phillipsburg, NJ 08865  
908-454-1161

**OHIO**  
2266 S. 6th St.  
Coshocton, OH 43812  
740-622-6651

**UTAH**  
1401 E. 2000 South  
Provo, UT 84606  
801-373-6910



[canadapipe.com](http://canadapipe.com)

**CANADA**  
55 Frid Street, Suite 1  
Hamilton, ON L8P-4M3  
905-547-3251